



GENUINE PARTS

INSTALLATION INSTRUCTIONS

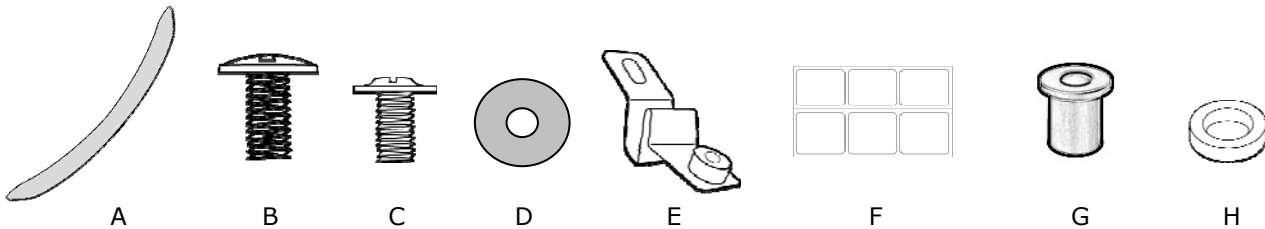
1. **DESCRIPTION:** Hood Bug Deflector

2. **APPLICATION:** Nissan Quest

3. **PART NUMBER:** 999D5 NX000

4. **KIT CONTENTS:**

Item	QTY	Description
A	1	Hood Bug Deflector
B	6	Phillips Head Screw #8-32 x 5/8"
C	6	Phillips Head Screw #10-24 x 1/2"
D	12	Washer
E	6	Bracket
F	2	Protective Polyurethane Tape
G	6	Rubber Insert Nut
H	6	Spacer
I	1	Installation Instructions Replacement Template



I

5. **TOOLS REQUIRED:**

- Car Wash Supplies
- Shop Towel
- Rust preventative coating (P/N:999MP-9G001P)
- Scissors
- Rubbing Alcohol (90% or Greater)
- 8mm Drill Bit
- Clip removal tool or Standard flat head screw driver
- Tape measure or Ruler
- Masking tape
- #2 Phillips Head Screw Driver
- Hand-held Electric Drill
- Protective Blanket

6. **CAUTIONS/NOTES:**

- To avoid damaging the surface, never use ammonia-based cleaners or solvents to clean your Hood Bug Deflector.
- Clean Hood Bug Deflector with a solution of mild dishwashing soap and water using a soft, lint free cloth or chamois.
- To remove fine scratches and restore the original luster, use a high quality plastic cleaner.

INSTALLATION INSTRUCTIONS - HOOD BUG DEFLECTOR

7. INSTALLATION PROCEDURE:

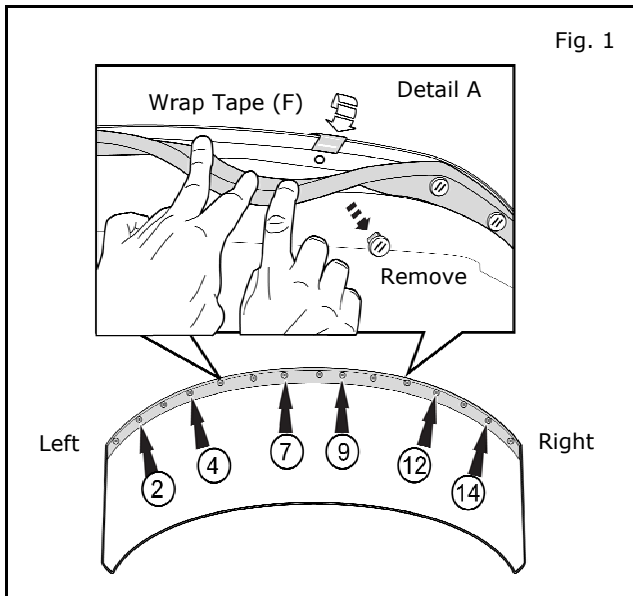


Fig. 1

- 1) Open hood.
- 2) Clean hood installation area.
- 3) Clean top and underside of hood's leading edge again using rubbing alcohol and shop towel.
- 4) Cover engine compartment with Protective Blanket to catch any dropped hardware.
- 5) Remove and discard six of the fifteen weather seal push fasteners at indicated locations.
- 6) Pull weather seal aside and wrap Protective Polyurethane Tape (F) over the leading edge of hood (see Detail A) at these locations.

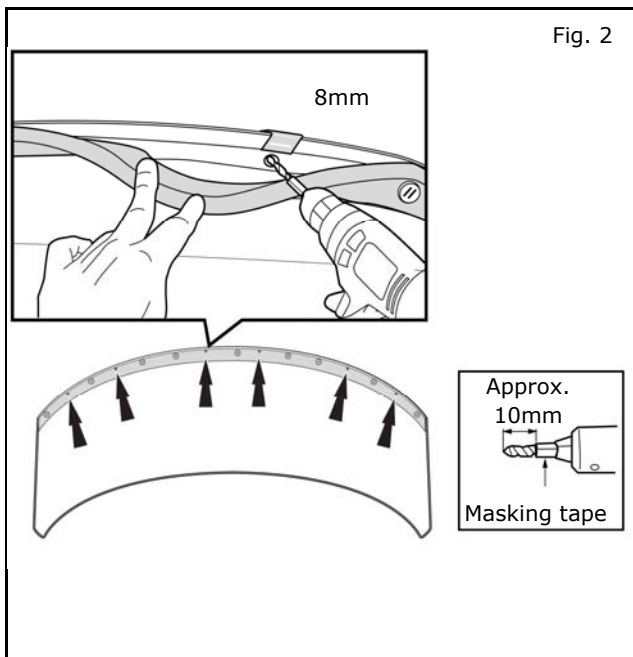


Fig. 2

- 7) Measure 10mm from end of 8mm drill bit and wrap with Masking tape.
- 8) Pull weather seal aside and drill the six open holes using the 8mm drill bit.

CAUTION

Apply gentle pressure while drilling to ensure that once through, the drill bit DOES NOT contact the outer surface of the hood and cause damage.

- 9) Apply rust preventative (P/N 999MP-9G001P) to drilled holes and let dry.

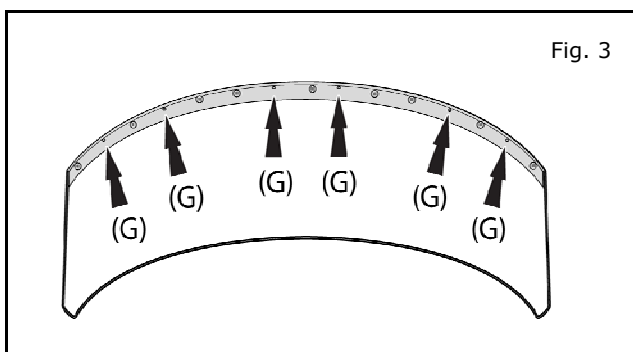
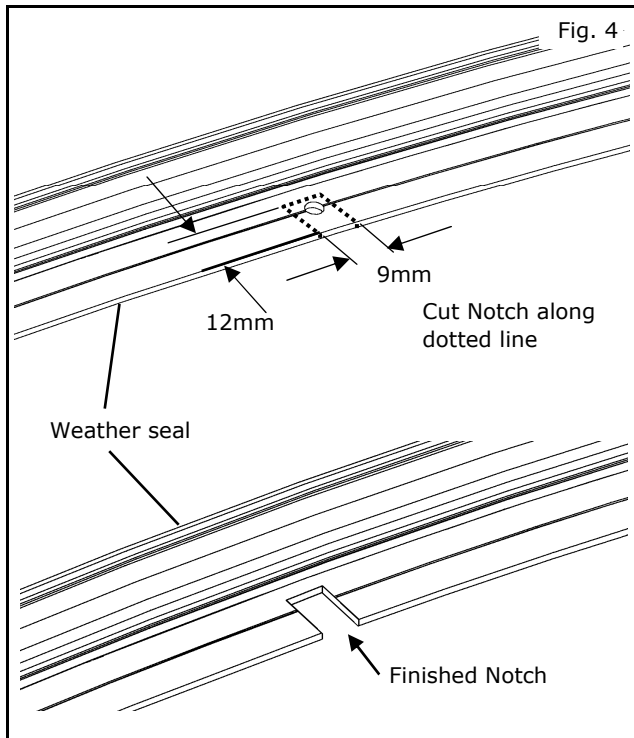


Fig. 3

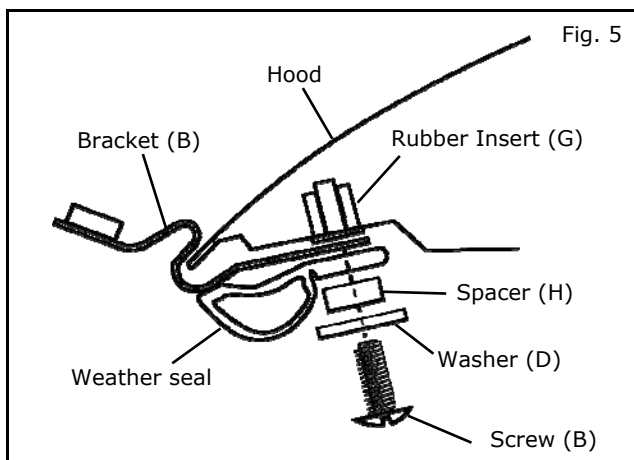
- 10) Install Rubber Insert Nut (G) in each drilled hole.

INSTALLATION INSTRUCTIONS - HOOD BUG DEFLECTOR

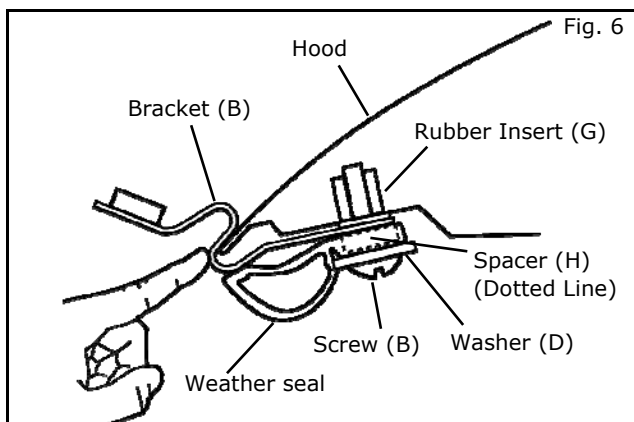
7. INSTALLATION PROCEDURE (CONTINUED):



- 11) Pull weather seal aside and cut notches around the holes in weather seal at drilled hole locations.



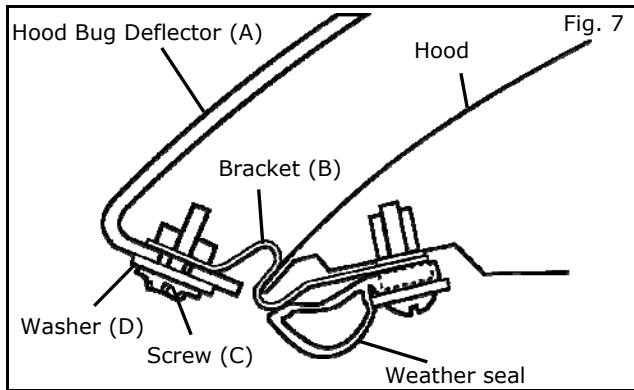
- 12) Slide Bracket (E) between installed Rubber Insert Nut (G) and Hood weather seal.
- 13) Secure Bracket (E) to hood using Washer (D) and #8-32 x 5/8" Screw (B).



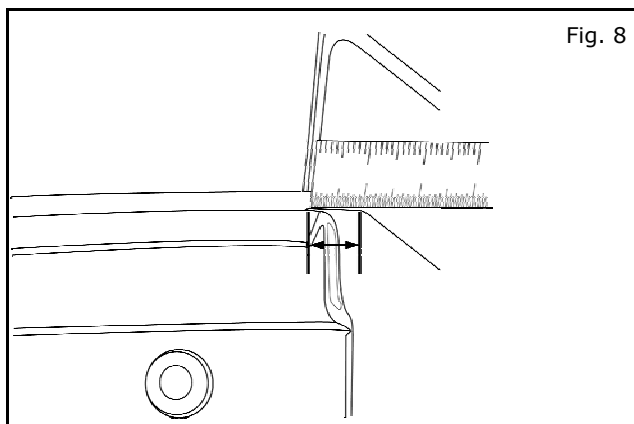
- 14) Push bracket tight to hood, tighten Screw (B) finger tight.
- 15) Repeat steps 12-14 for other five locations.

INSTALLATION INSTRUCTIONS - HOOD BUG DEFLECTOR

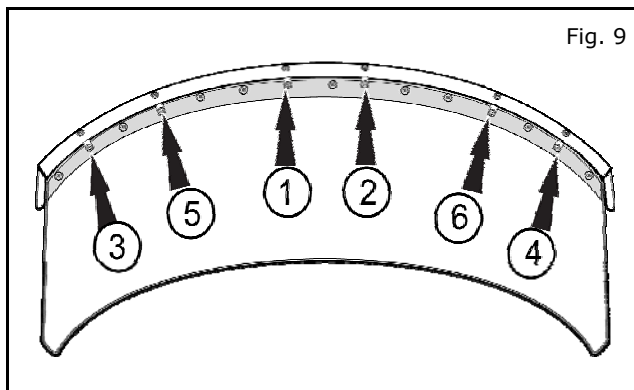
7. INSTALLATION PROCEDURE (CONTINUED):



- 16) Secure Hood Bug Deflector (A) using Washer (D) and #10-24 x 1/2" Screw (C). Tighten Screw (C) finger tight and repeat for other five locations.



- 17) Measure distance from end of Hood Bug Deflector (A) to corner of hood on both ends and adjust by pushing on the deflector to ensure the Hood Bug Deflector is centered on the hood.



- 18) Tighten the middle four screws securing the brackets to the deflector and hood until snug. Do not overtighten.
- 19) Finish tightening remaining screws, moving from left and right outer brackets working inward.

8. CHECKLIST:

Prior to completion, verify the following:

- All screws are properly tightened and snug against a bearing surface.
- Brackets are secure and Hood Bug Deflector does not slide fore/aft or side to side.
- Paint protection film is smooth and free of wrinkles.
- Hood closes and latches normally.